

# KENDRION

---



**KENDRION** SOLUTIONS

## **Sensors for commercial vehicles**

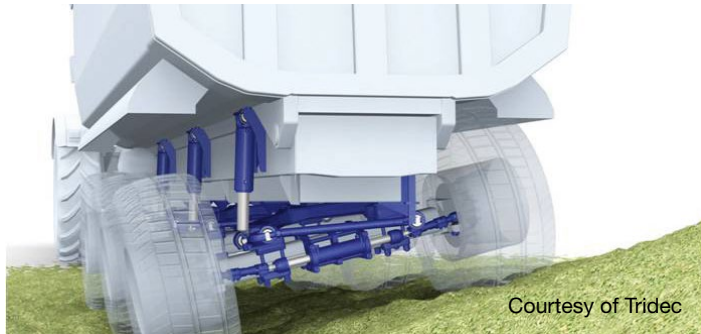
Interfaces between mechanical  
and electronic components

PRECISION. SAFETY. MOTION.

# Sensors for commercial vehicles

Interfaces between mechanical and electronic components

**Sensors are the interfaces between the mechanical and electronic parts of a vehicle. Kendrion has extensive experience in this field.**



Our sensor systems are specifically tailored to the high demands of mobile applications. They meet the highest quality standards and comply with the special directives of the automotive branch. Our strength lies in developing bespoke solutions for customers.

Commercial vehicles is one area where our robust sensors are particularly in demand. One focus in the range of applications is ride-height control for commercial vehicles. We are also constantly developing new applications that are only possible in conjunction with state-of-the-art sensors.

## Rotary angle sensors from Kendrion

Our rotary angle sensors detect the level of the chassis. Therefore, together with the control unit and the air suspension system, they constitute an important component in active chassis technology. The active rotary angle sensors from Kendrion cover angular ranges from 0 to 360° and can be programmed to suit their particular purpose.

Rotary angle sensors function as position feedback encoders that constantly measure the changing vertical distance between the body and axle of the vehicle. The sensor, located in an unprotected area of the vehicle frame, is actuated by a connecting lever that can be fitted with an additional linkage if required. The sensor's electrical output signal is proportional to the set angle of rotation and virtually unaffected by the ambient temperature.



Besides their uses in goods vehicles, our sensors also serve the needs of bus and coach operators. So-called kneeling systems to ease access and egress is one area where our sensors play a vital part.



## Linear sensors from Kendrion

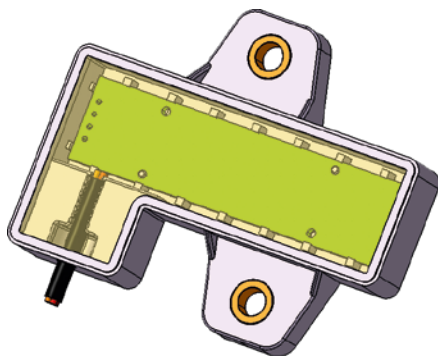
Our active linear sensors measure displacements in your commercial vehicle without the need for a separate control unit. For example, it is possible to detect the position of clutch travel.

### The advantages of the system:

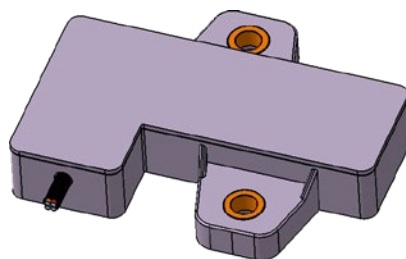
- Easy to adapt to different measured displacements
- Modular system with standardised electronics
- Contactless sensing through aluminium housing
- Measured displacement between 10 and 100 mm
- Compact, robust design, closed core geometry
- Operating temperature from -40 to 150°C
- Service life > 20,000 operating hours

### Further technical details:

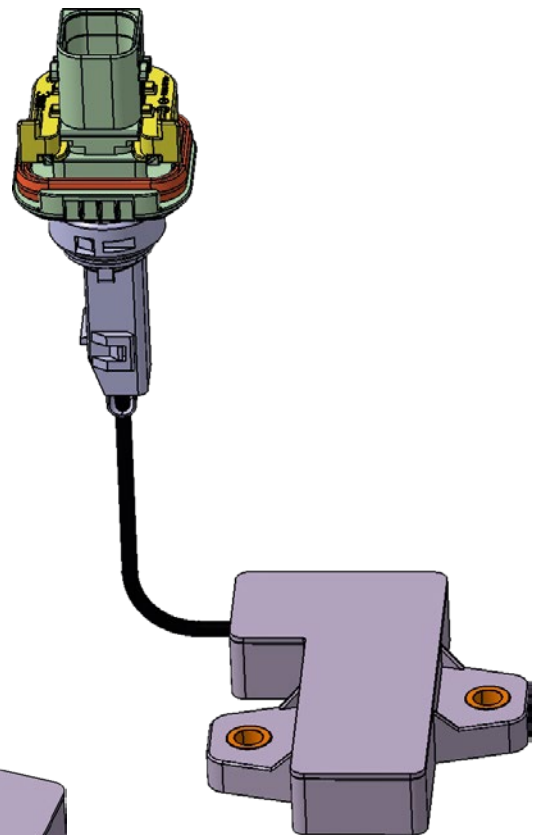
- Refresh rate: < 2 ms
- Temperature error: < 1% FS (residual error)
- Manufacturing scatter: < 2% FS
- Linearity error: < 1% FS
- Hysteresis: < 0.2% FS (at +20°C)
- Repeat accuracy over entire service life: < 0.2% FS (at +20°C)



Fully encapsulated sensor



Sensor with laser-welded cover



Sensor with separate connector

**Kendrion Kuhnke  
Automotive GmbH**

---

Lütjenburger Strasse 101  
23714 Malente  
Germany

T +49 4523 402-0  
F +49 4523 40258-359

[automotive@kendrion.com](mailto:automotive@kendrion.com)  
[www.kendrion.com](http://www.kendrion.com)

